

Coffee.

Of all the food and beverages of the modern age, coffee has become the epitome of pleasure and savoir vivre. Its bitter-sweet taste and exquisite aroma have become a mainstay of our culture. It is consumed in a dazzling array of varieties and at all times of the day – and night. Meeting every individual wish requires more than just an outstanding coffee machine – it also calls for the instinctive touch and years of experience of a professional barista. Both of these qualities are united in our new fully automatic espresso machine CM 250. Without needing any sort of warm-up phase, it is ready to produce all imaginable coffee specialities – espresso, latte macchiato, cappuccino and milk coffee – within a few seconds. Special requests are no problem either. The CM 250 can even remember your favourites – just as you'd expect from your own personal barista.



**GAGGENAU**



Fully automatic espresso machine CM 250.

Technical specifications.

The CM 250 prepares every variation of espresso and milk-mix drinks, as well as the classic cup of coffee, warm milk and hot water for other beverages including tea. The frontage design combines perfectly with the appliances in the 200 oven series.

- Frontage: Aluminium-backed glass frontage.
- Dimensions: 60 cm wide; 45 cm high.
- Operation: The desired drink at the push of a button. Thanks to the integrated milk system the cup need not be moved.
- Personalisation function: Makes it possible to automatically prepare six individual beverages according to one's personal taste and save them to memory.
- Lighting concept: Up to seven different lighting scenarios.
- Grinding unit: The grinding unit with high-quality ceramic discs is extremely long-lived. It grinds fresh coffee beans into superfine powder almost silently.
- Heating system: A continuous flow heater ensures that the appliance requires no warm-up phase. When needed, the water reaches the optimal brewing temperature within seconds.
- Aroma brewing technology: Presses the coffee powder together and whirls it during the brewing process so that all the aromas can develop freely.
- Single portion cleaning: All water pipes are cleared of any residual water after every cup.
- 2.5-litre water tank: Removable and transparent, with a water filter.
- 0.7-litre milk container: With an insulated outer wall that keeps milk fresh for hours.



GAGGENAU

01



Fully automatic espresso machines 200 series,  
with glass frontage.

01 CM 250 130 60 cm, aluminium, water tank

---

Warming drawers 200 series, with glass frontage.

02 WS 261 131 60 cm/14 cm, aluminium

---

02





### CM 250 130

Aluminium-backed glass frontage  
Width 60 cm

#### Included in the price

- 1 water filter cartridge
- 1 cleaning tablet
- 1 descaling tablet
- 1 measuring spoon
- 1 assembly screws
- 1 milk container



### Fully automatic espresso machine 200 series CM 250

- Combinability with other appliances of the oven 200 series in the 45 cm high niche
- Continuous flow heater means no waiting time and constant brewing temperature
- Aroma brewing technology for a full aroma
- Single portion cleaning
- One-touch operation
- Personalisation function
- LED lighting

#### Programmes

Espresso / 2 x Espresso.  
Coffee / 2 x Coffee.  
White coffee.  
Latte macchiato.  
Cappuccino.  
Milk froth.  
Warm milk.  
Hot water.

#### Handling

LCD function display.  
Clear text display in 15 languages.  
Rotary knob and touch key operation.  
Personalisation function, up to 6 beverages can be personalised and memorised.  
3 cup size settings.  
5 coffee strength levels from mild to extra strong.  
3 coffee and hot water temperature levels.  
4 grinding level settings.  
Height-adjustable coffee dispenser up to 15 cm.  
Automatic slide-out function at the push of a button.

#### Features

Grinding unit with ceramic discs.  
Separate container for second ground coffee type.  
Water pump with 19 bar pressure.  
Continuous flow heater.  
Aroma brewing technology.  
Double shot function for strong beverages.  
Double grinding and brewing cycles for two beverages.  
Dispenser with integrated milk system.  
Insulated milk container for up to 0.7 litres.  
Integrated lighting with 3 LEDs.  
Bean container for up to 1 kg.  
Removable 2.5 litre water tank.  
Electronic fill level control for water and coffee beans.  
Electronic water filter exchange indicator.  
Electronic fill level control for drip tray and container for coffee dregs.  
Operation indicator.

#### Safety

Child lock.  
Safety shut-off.

#### Cleaning

Single portion cleaning after every cup.  
Fully automatic rinse programme when machine is turned on/off.  
Automatic quick rinsing of milk system.  
Automatic cleaning and descaling programme.  
Removable brewing unit.  
Coffee dregs container and drip tray dishwasher-safe.  
Milk frother dishwasher-safe.

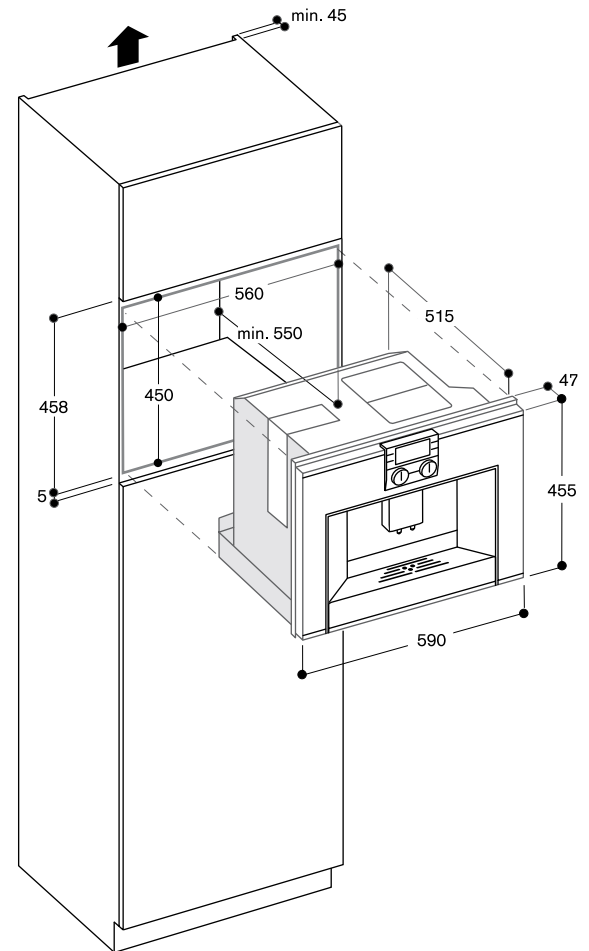
#### Planning notes

**Ideal installation height 950 mm or higher.**

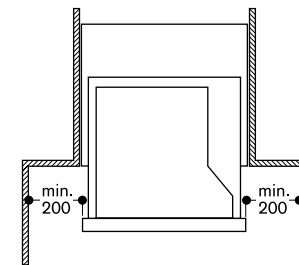
When installing in a corner a side clearance of 200 mm is required.  
The façade of the appliance extends 47 mm from the furniture cavity.  
The cabinet must not have a rear panel behind the appliance.  
Mount directly above 14 cm high warming drawer in 59 cm standard niche.

#### Connection

Total connected load 1.7 kW.  
Connecting cable 1.5 m with 10 amp plug.  
230-240V/50Hz



#### Installation in a corner



# Fully automatic espresso machine CM 250.



<b>Appliance type</b>	Fully automatic espresso machine	
Series	200 series	
Aluminium-backed glass frontage	CM 250 130	
<b>Dimensions</b>		
Width	(cm)	60
Appliance dimensions W x H x D <sup>1</sup>	(mm)	590 x 455 x 515
Façade extension from cavity	(mm)	47
Niche dimensions W x H x D	(mm)	560 x 450 x 550
<b>Programms</b>		
Beverages	Espresso / 2 x espresso	
	Coffee / 2 x coffee	
	White coffee, latte macchiato, cappuccino	
	Milk froth	
	Warm milk	
	Hot water	
Individual beverages	(No.)	6
<b>Adjustable options</b>		
- Cup sizes	(No.)	3
- Temperature levels	(No.)	3
- Coffee strength levels	(No.)	5
<b>Handling</b>		
LCD function display		•
Clear text display	(No. of languages)	15
Basic settings menu		•
<b>Programmable functions</b>		
- Water hardness	(No. of levels)	4
- Water filter		•
- Switch-off after	(h)	1 – 12
- Lighting scenarios	(No.)	7
- Variable beverage size		•
<b>Features</b>		
Grinding unit with ceramic discs		•
Continuous flow heater		•
Pump pressure	(bar)	19
Aroma brewing technology		•
Integrated milk system		•
Insulated milk container	(l)	0.7
Bean container	(g)	1000
Separate container for second ground coffee type		•
Grinding level control	(No. of levels)	4
Volume of adjustable brewing chamber	(g)	8 to 10
Double shot function		•
Removable water tank	(l)	2.5
Water filter cartridge for water tank		1
Single portion cleaning		•
Height adjustable coffee dispenser	(cm)	15
Integrated LED lighting		•
Child lock		•
Electronic water filter exchange indicator		•
Electronic fill level control for coffee beans and water		•
Electronic fill level control for drip tray and coffee dregs container		•
<b>Cleaning</b>		
Fully automatic rinse programme when switching on/off		•
Automatic quick rinsing of milk system		•
Automatic cleaning and descaling programme		•
Automatic cleaning programme		•
Automatic descaling programme		•
Removable brewing unit		•
Coffee dregs container and drip tray removable and dishwasher-safe		•
Milk frother removable and dishwasher-safe		•
<b>Connection</b>		
Total connected load	(kW)	1,7
Electrical supply cord	(cm)	150

• Standard. <sup>1</sup> Appliance depth: the immersion depth of the appliance in the niche.