



Cooling appliances.	
Vario cooling 400 series: Cooling, freezing and wine.	102
Planning notes Vario cooling 400 series.	105
Accessories / Special accessories.	108
Technical specifications.	110



RC 462 200 AU
fully integrated
Niche width 61 cm,
Niche height 213.4 cm

Installation accessories

RA 421 630

Aluminium door panel with handle.
For 61 cm wide appliances, panel
thickness 19 mm.

RA 421 610

Stainless steel door panel with handle.
For 61 cm appliances, panel thickness
19 mm.

RA 425 130

Handle bar, aluminium. With 3 mounts,
length 1131 mm, drilling distance
between each mount 554 mm.

RA 425 110

Handle bar, stainless steel. With 3
mounts, length 1131 mm, drilling
distance between each mount 554 mm.

RA 460 011

Additional side heating element

230-240 V / 50 Hz



product
design
award

2008 ■

Vario refrigerator 400 series

RC 462

- Stainless steel interior
- Generous lighting concept
- Solid aluminium door racks
- Net volume 365 litres
- Fresh cooling drawer, temperature control from 0 °C to 3 °C
- One motorised glass shelf, adjustable when fully loaded

Handling

Electronic temperature control with digital display.

Features

Dynamic cold air distribution with Multi-Air-Flow.
Automatic defrosting with defrost water evaporation.
Activated charcoal air filter.
Energy-saving vacation mode.
Open-door and malfunction warning systems.

Cooling

Net volume 314 litres.
No-frost technology with fast cooling.
Temperature adjustable from +2 °C to +8 °C.
4 safety glass shelves, 1 of which is motorised, 2 manually adjustable.
2 fully extendable drawers with transparent front, one of which is deep and one is shallow.
Bright interior lighting with light pillars and 2 ceiling spots.
3 height adjustable door racks, one of which is extra deep.
1 door rack with transparent front flap.

Fresh cooling close to 0 °C

Net volume 51 litres.
Separate automatic temperature control, with settings for fish, meat or vegetables.
1 large, fully extendable drawer with transparent front and integrated lighting.

Planning notes

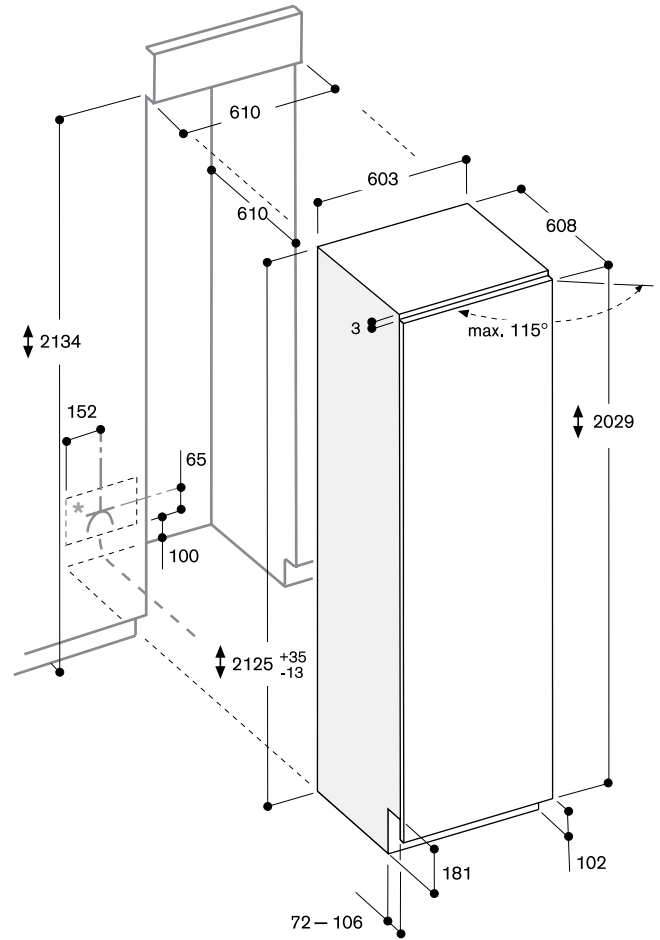
Please read additional planning notes on page 105 - 107.

Flat hinge.
Door hinge right, reversible.
Door opening angle of 115°, fixable at 90°.

Recommendation:
Locate socket adjacent to appliance in accessible location where feasible.

Connection

Total connected load 0.266 kW.
Connecting cable 2.0 m with 10 amp plug.





Vario freezer 400 series
RF 463

- Stainless steel interior
- Integrated ice maker with fixed inlet water connection
- Illuminated dispenser for ice cubes, crushed ice and chilled water
- Solid aluminium door racks
- Net volume 294 litres

Handling

Electronic temperature control with digital display.

Features

Dynamic cold air distribution.
Automatic defrosting with defrost water evaporation.
Energy-saving vacation mode.
Open-door and malfunction warning systems.

Freezing

No-frost technology with fast freezing.
Temperature adjustable from -14 °C to -25 °C.
Freezing capacity 14 kg/24 h.
Storage time after a malfunction 14 h (subject to ambient temperatures).
4 solid metal shelves, 2 of which are manually adjustable.
2 fully extendable drawers with transparent front, 1 of which is large, 1 regular.
Interior lighting with 2 spots.
1 extra deep door rack.
1 door rack with transparent front flap.

Ice and water dispenser

Illuminated, with pull-down flap to accommodate large pitchers and sport bottles.
Integrated, with fixed inlet water connection.
Ice maker can be switched off.
Ice cube production approx. 1.5 kg/24 h.
Ice cubes and crushed ice.
Anti-Clump technology.
Removable ice storage container with approx. 2.5 kg capacity.
Ice water supply approx. 1.5 litres.

Planning notes

Please read additional planning notes on page 105 - 107.

Flat hinge.
Door hinge left only, not reversible.
Door opening angle of 115°, fixable at 90°.

Connection

Total connected load 0.59 kW.
Connecting cable 2.0 m with 10 amp plug.
Water inlet.
Supply hose 3.0 m with 3/4" connection.
Water pressure 2.4 to 8.3 bar.

RF 463 201 AU

Fully integrated
Niche width 61 cm,
Niche height 213.4 cm
Left-hinged only

Installation accessories

RA 422 630

Aluminium door panel with handle
For 61 cm wide appliances, panel thickness 19 mm.

RA 422 610

Stainless steel door panel with handle.
For 61 cm appliances, panel thickness 19 mm.

RA 425 130

Handle bar, aluminium. With 3 mounts, length 1131 mm, drilling distance between each mount 554 mm.

RA 425 110

Handle bar, stainless steel. With 3 mounts, length 1131 mm, drilling distance between each mount 554 mm.

RA 460 011

Additional side heating element

RA 450 010

Activated charcoal filter for water filter system including saturation indicator.

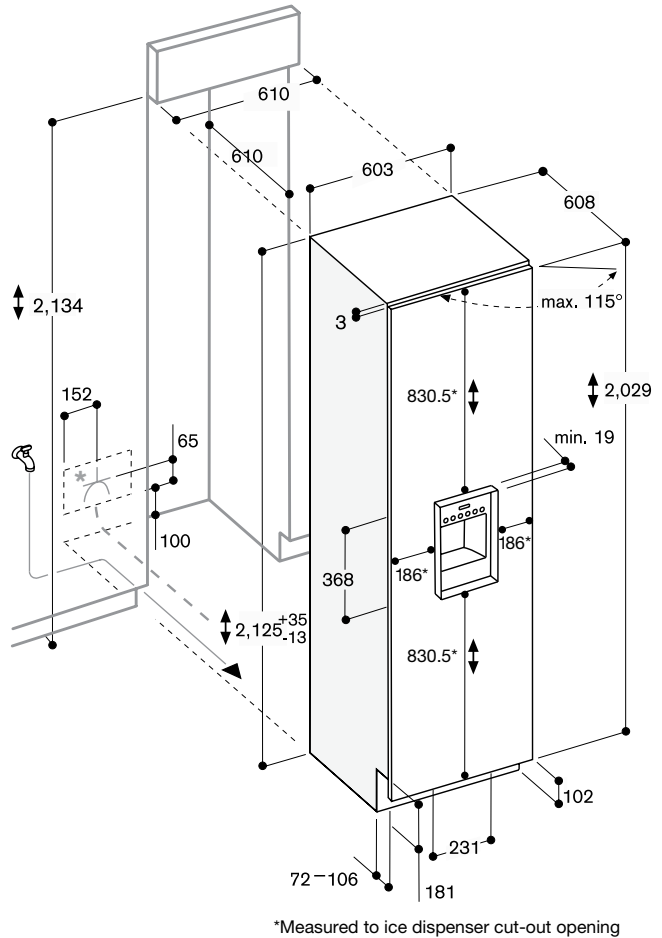
G2 12 397

Water inlet hose extension. 2.2 m extension hose, order via spare parts.

230-240V / 50Hz



2008





Vario wine climate cabinet 400 series
RW 464

- Two independently controllable climate zones
- Consistent temperatures with exact control from +5 °C to +18 °C
- Humidity control
- Stainless steel interior
- Fully extendable bottle trays in beech and aluminium
- Presentation light option
- Low-vibration operation
- Capacity 101 bottles

Handling

Electronic temperature control with digital display.

Features

Dynamic cold air distribution.
Automatic defrosting with defrost water evaporation.
Activated charcoal air filter.
UV-protection.
Energy-saving vacation mode.
Open-door and malfunction warning system.

Cooling

Net volume 394 litres.
Capacity 101 bottles (based on 0.75/l standard bottles).
10 fully extendable bottle trays, up to 4 of which for storage of magnum bottles.
Interior lighting with 3 ceiling spots, 1 of which can be used as a presentation light in the lower climate zone.

Planning notes

Please read additional planning notes on page 105 - 107.

Flat hinge.

Door hinge right, reversible.
Door opening angle of 115°, fixable at 90°.

Locate socket adjacent to appliance in accessible location where feasible.

Connection

Total connected load 0.131 kW.
Connecting cable 2.0 m with 10 amp plug.

RW 464 260 AU

fully integrated, with glass door
Niche width 61 cm,
Niche height 213.4 cm

Installation accessories

RA 421 631

Aluminium door panel frame with handle

For 61 cm wide appliances, left-hinged, panel thickness 19 mm.

RA 421 632

Aluminium door panel frame with handle

For 61 cm wide appliances, right-hinged, panel thickness 19 mm

RA 421 611

Stainless steel door panel frame with handle. For 61cm appliances, left hinge, panel thickness 19mm.

RA 421 612

Stainless steel door panel frame with handle. For 61cm appliances, right hinge, panel thickness 19mm.

RA 425 130

Handle bar, aluminium. With 3 mounts, length 1131mm, drilling distance between each mount 554mm.

RA 425 110

Handle bar, stainless steel. With 3 mounts, length 1131mm, drilling distance between each mount 554mm.

RA 460 011

Additional side heating element

Special accessories

RA 093 630

Presenters in aluminium for single bottle display (set of 3).

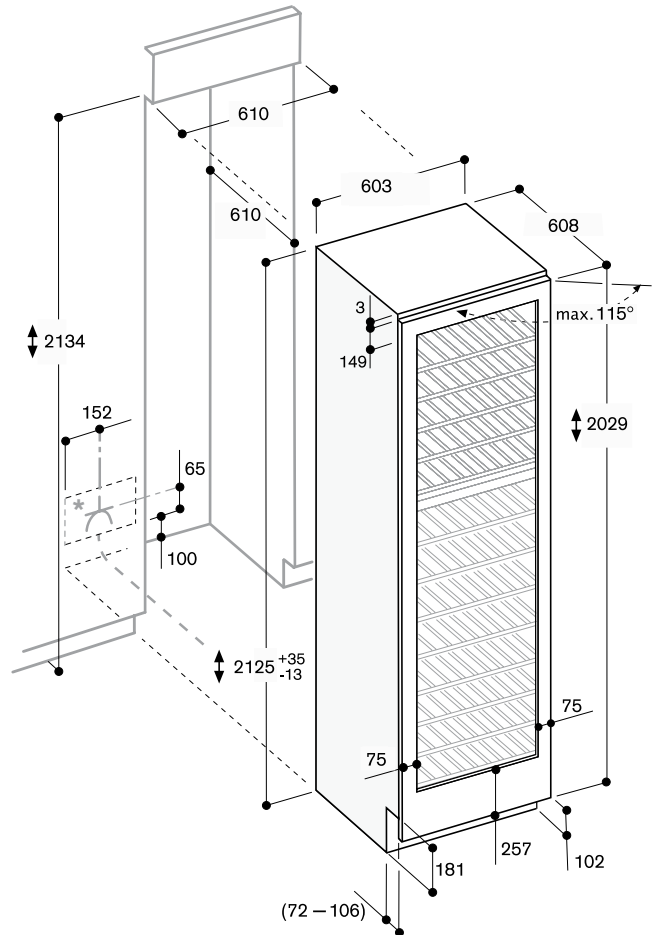
RA 492 630

Fully extendable aluminium shelf suitable for open bottles and decanters.

230-240V / 50Hz



product design award gold 2008



Read the instructions in the installation manual completely and carefully before commencing installation. Installation manuals are supplied with the appliance. Installation manuals are also available at www.gaggenau.com.au

These appliances are top heavy and must be secure to prevent the possibility of tipping forward. Anti tip protection is required.

Keep doors closed until the appliance is completely installed and secured per installation instructions.

Due to size and weight of appliance and to reduce risk of personal injury or damage to the product – **TWO PEOPLE ARE REQUIRED FOR PROPER INSTALLATION.**

Appliance must be installed by suitably trained, qualified and registered trade persons.

Vario cooling appliances are fixed at the top and bottom of the niche, on the side opposite the hinge. There is no fixation on the hinge side of the appliance, because the finger protection slides in between the appliance and the adjacent cabinetry. The side walls of the adjacent cabinetry have to be dimensionally stable.

Vario cooling appliances can be installed handle to handle as a side-by-side solution. In this case, the side-by-side heating element RA 460 011 is required.

The additional heating element RA 460 011 needs to be installed between the appliances to avoid condensation. This additional heating element is not necessary if the distance between the appliances is greater than 160 mm. The heating element does not take up additional space. It is already included in the niche dimensions and does not interfere with the finger protection.

If Vario cooling appliances are joined together hinge-to-hinge, one must plan an additional, dimensionally stable plinth between the appliances for the finger protection to function properly. If usability limitations are acceptable (opening both appliance doors simultaneously is not possible), appliances can be joined directly, using the additional heating element RA 460 011.

When installing a Vario cooling appliance next to a BO/BS oven, a side clearance of 60 mm is required if the BO/BS handle is on the same side as the hinge of the Vario cooling appliance.

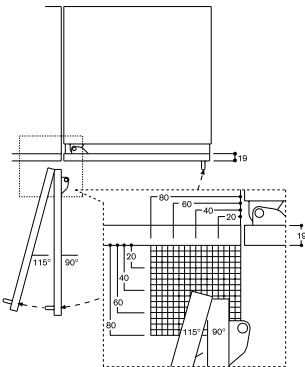
Installation accessories:

RA 460 011

Additional side heating element.

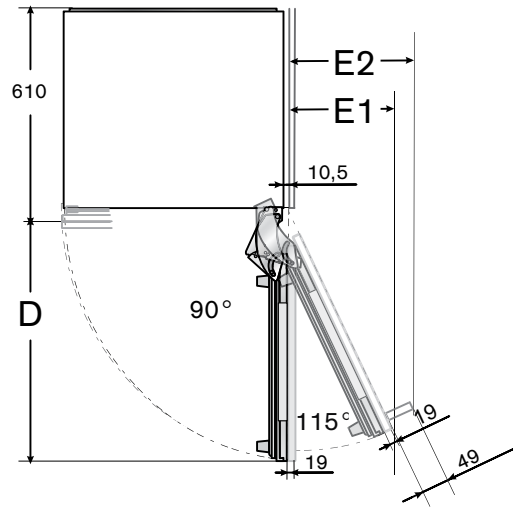
Door opening angle

To ensure correct kitchen planning it is essential to take into account the opening angle of the appliance door (plus fitted cabinet door and handle).



The space needed for the hinge and the consequential distance to the adjacent cabinetry and its handle can, depending on the panel thickness, be seen in the following drawing. The drawing assumes a panel thickness of 19 mm.

Wall clearance RC/RF/RW



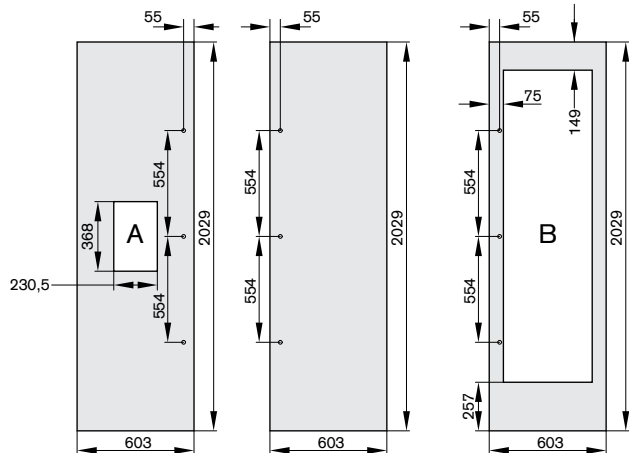
Appliance width	D	E1	E2
61 cm	677 mm	299 mm	330 mm

Dimensions of the door panel and frame accessories

Appliance width 61 cm
The panel thickness is 19 mm.

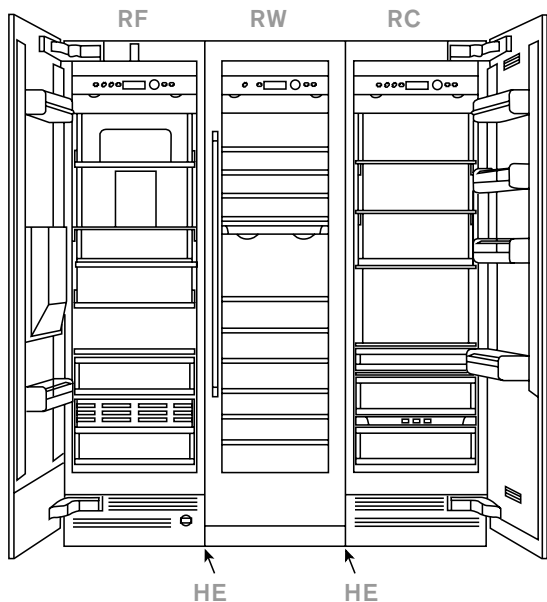
- A: The cut-out for the ice and water dispenser is centred horizontally and vertically.
- B: The width of the side frame parts for the Vario wine climate cabinet can be between 65 mm and 82 mm. The recommended width is 75 mm.

When designing a customised cabinet door panel, please be aware that the top, bottom and side sections of the back of the panel will be visible when opening the appliance door.



Allowed maximum door panel weight (per door panel)

Appliance	Weight
RC 462	25 kg
RF 463	25 kg
RW 464	14.5 kg



Combination of 3 appliances.

RF 463 / RW 464 / RC 462

Usability limitations: The doors of RW and RC cannot be opened at the same time.

Installation accessories:

2 x RA 460 011 HE* (between RW - RC and between RF - RW).

Notes: All three appliances must be connected to each other before installation and pushed together into the installation niche.

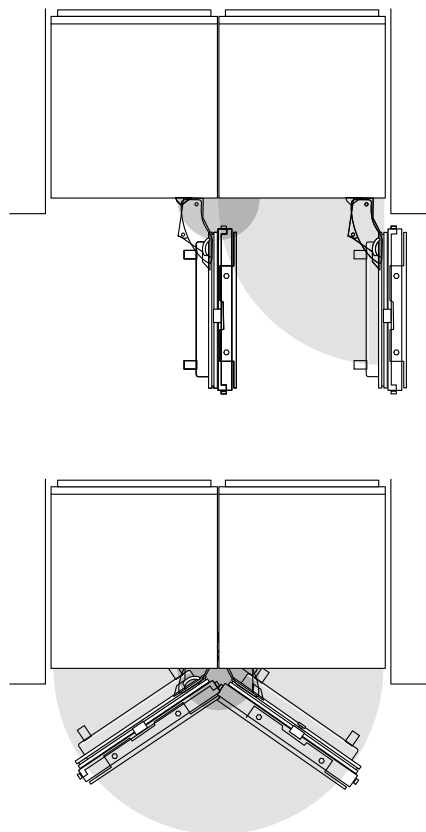
To guarantee proper functioning of the finger protection, all of the fixing parts delivered with the RA 460 011 must be fitted, with the exception of the bottom front.

*HE = Additional side heating element.

Door opening limitations.

When planning installation configuration take into consideration usability limitations in regard to door opening. In some installations doors cannot be opened simultaneously, (they can be opened separately).

See below example of installations where appliance door restricts other door.



Installation Conditions.

Location

Do not install appliance

- outdoors
- in damp rooms
- in rooms with a risk of frost

The appliance should be installed in a dry, well ventilated room.

Installation niche

The specified dimensions of the installation niche must be observed to guarantee the proper installation of the appliance and the design of the cabinet front.

It is particularly important that the installation niche is square. The side walls must be smooth, not have any protrusions of unevenness.

Use the appropriate tools, eg. spirit level, diagonal measurements, etc. to determine whether the installation niche is square.

The side walls and the crown of the installation niche must be at least 16mm thick.

Neighbouring cabinetry

The new appliance is screwed firmly in place with the neighbouring cabinet parts.

Care should be taken to ensure that all cupboards onto which something is fastened, are connected firmly to the floor or the wall.

The Plinth can be a maximum 19mm thick.

Surface

A fully loaded appliance is very heavy it can weigh up to 540 kg.

To ensure that the appliance is installed securely and functions properly, the surface must be level and even.

The floor must consist of a hard, rigid material.

The floor in the installation area must have the same height as the floor in the rest of the room.

Due to the heavy weight of a fully loaded appliance, the floor beneath must be stable.

Never install and operate an appliance without finger protection.

The finger protection feature is a safety which is fitted on the hinge side of the appliance door.

Electrical connection

Never connect the appliance to an energy-saving plug or a converter that transforms direct current into 240 V alternating current, (eg. Solar installations, power supply on board a ship).

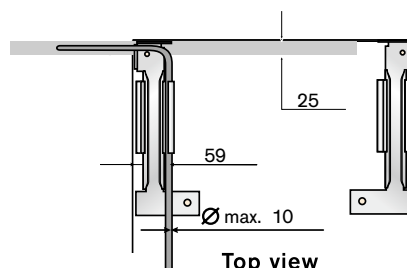
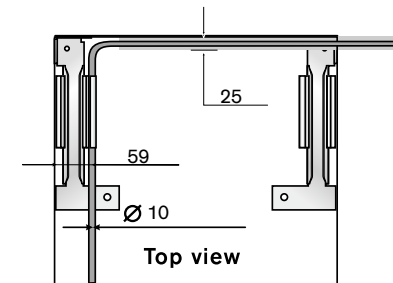
Do not use an extension cable, adaptor or distributor.

Water connection

A cold water connection is required to operate the automatic ice maker. The water pressure to the appliance must be between 1.7 and 10 bar. If using a water filter, which is available as a special accessory, the water pressure range must be between 2.4 and 8.3 bar. The installation must be in compliance with local plumbing regulations.

A separate stop valve must be installed in the cold water supply. Install the stop valve and appliance water connection hose directly next to the appliance or in another, easily accessible location in order to isolate appliance.

When installing the water connection, the permitted installation areas for water pipes must be observed.



Base area/Crown of the niche.

Poor ventilation leads to damage to the appliance.

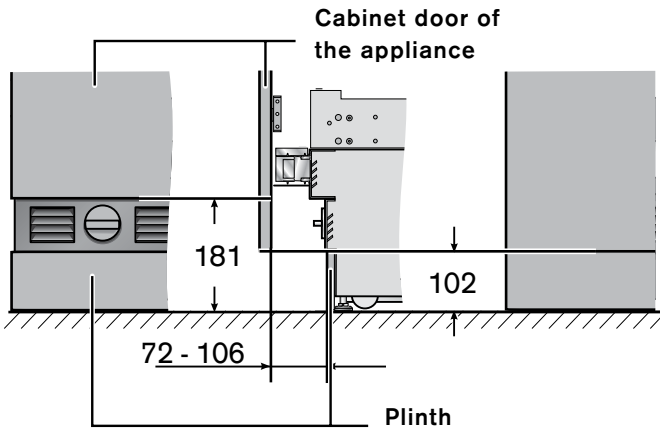
Under no circumstances is it permitted to cover the air inlets and the exhaust air outlets of the appliance in the lower base area.

You must observe the minimum distance of 100mm between the upper edge of the floor and the bottom edge of the cabinet door of the appliance. Take this into consideration when adjusting the appliance feet also.

In relation to the standard height, the maximum height of the base board is 102 mm. The plinth can be maximum 19 mm thick.

Adhesive connectors are supplied on the front panel of the appliance for fitting the base board.

The air inlets and the exhaust air outlets of the appliance, as well as the access to the water filter (if available) are located above the base board. They must not be covered.



For design reasons, it may be necessary to increase the distance between the upper edge of the floor and the bottom edge of the cabinet door of the appliance, so that it extends beyond the standard dimensions is of 102mm. The maximum dimension is 181 mm.

If this is the case, air inlets and exhaust air outlets and access to the water filter would become visible.

Crown

The height of the cabinet door on the appliance is dependent on:

- the overall height of the appliance,
- the distance from the bottom edge of the cabinet door to the floor,
- the appliance type (one-door or multi-door appliances).

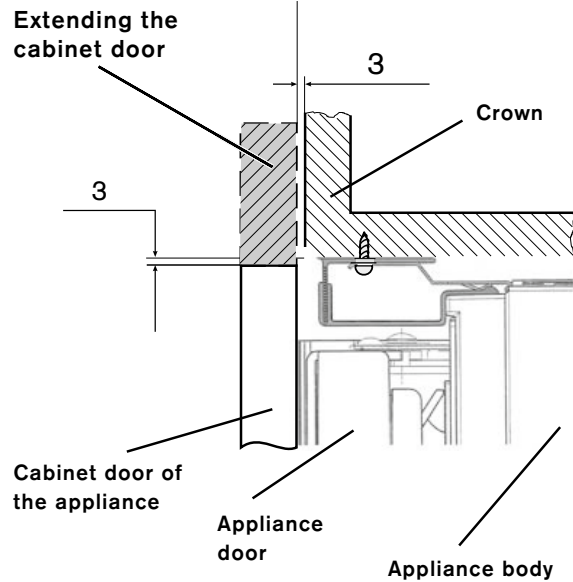
The overall height of the appliance is 2,134 mm.

The height can be adjusted within a range of -13 mm to +35 mm.

You must observe the minimum distance of 100 mm between the upper edge of the floor and the bottom edge of the cabinet door of the appliance.

This height can vary depending on the conditions at the site.

It is possible, eg. for design reasons, to lengthen the cabinet door upwards by extending it beyond the top of the appliance.



It must be ensured that the crown of the installation niche always has a depth of at least 100 mm (measured from the front edge of the appliance).

Only then can the secure installation of the appliance in the installation niche be guaranteed.

RA 421 610

Stainless steel door panel with handle.
For 61 cm wide appliances, panel
thickness 19 mm.



RA 421 611

Stainless steel door panel frame with
handle. For 61 cm wide appliances,
left-hinged, panel thickness 19 mm.



RA 421 612

Stainless steel door panel frame with
handle. For 61 cm wide appliances,
right-hinged, panel thickness 19 mm.



RA 422 610

Stainless steel door panel with handle.
For 61 cm wide appliances, panel
thickness 19 mm.



RA 421 630

Aluminium door panel with handle. For
61 cm wide appliances, panel thickness
19 mm.



RA 421 631

Aluminium door panel frame with
handle. For 61 cm wide appliances,
left-hinged, panel thickness 19 mm.



RA 421 632

Aluminium door panel frame with
handle. For 61 cm wide appliances,
right-hinged, panel thickness 19 mm.



RA 422 630

Aluminium door panel with handle. For
61 cm wide appliances, panel
thickness 19 mm.



RA 425 110

Handle bar, stainless steel, long. With 3 mounts, length 1131 mm, drilling distance between each mount 554 mm.



RA 425 130

Handle bar, aluminium, long. With 3 mounts, length 1131 mm, drilling distance between each mount 554 mm.

RA 492 630

Fully extendable shelves in aluminium
For RW 464. Suitable for decanters,
open bottles and humidors.



RA 093 630

Presenters in aluminium for single
bottle display (set of 3) for RW 464





Appliance type		Refrigerator	Freezer	Wine cabinet
Fully integrated, 61 cm niche		RC 462 200 AU	RF 463 201 AU ¹	
Fully integrated, with glass-framed door, 61 cm niche				RW 464 260 AU
Dimensions				
Appliance dimensions (W x H x D)	(cm)	60.3 x 212.5 x 60.8	60.3 x 212.5 x 60.8	60.3 x 212.5 x 60.8
Niche dimensions (W x H x D)	(cm)	61 x 213.4 x 61	61 x 213.4 x 61	61 x 213.4 x 61
Depth including wall clearance	(cm)	61	61	61
Weight when empty	(kg)	176	174	175
Shipping weight	(kg)	193	189	192
Weight maximum load	(kg)	555	401	571
Type and identification				
Door hinge right/left/reversible		•/-/•	-/•/- ¹	•/-/•
Aluminium or stainless steel door panelling		◦	◦	◦
Volume/energy efficiency				
Cooling modes: cooling/freshcooling/freezing/wine		•/•/-/-	-/•/•/-	-/-/-/•
Total gross volume/total net volume	(l)	381/365	320/294	422/394
- Net volume of cooling zone		314	-	-
- Net volume of fresh cooling zone close to 0 °C		51	-	-
- Net volume of freezing		-	294	-
Storage capacity 0.75 litre bottles	(No.)	-	-	101
MEPS Energy Star Rating		2.5	2.5	-
Features				
Electronic temperature control		•	•	•
Fresh cooling zones with humidity control		1	-	-
Temperature/climate zones	(No.)	2	1	2
Temperature adjustable to the precise degree		•	•	•
No-Frost technology		•	•	-
Presentation light		-	-	•
Humidity control		-	-	•
Ice and water dispenser with ice cubes/crushed ice/water		-/-/-	•/•/•	-/-/-
Temperature display internal/external		•/-	•/-	•/-
Malfunction, visual/audible warning signal		•/•	•/•	•/•
Door open, visual/audible warning signal or door lock indication		-/•	-/•	-/•
Activated charcoal air filter		•	-	•
Low-vibration operation		-	-	•
UV protection		-	-	•
Stainless steel interior		•	•	•
Vacation mode		•	•	•
Cooling/fresh cooling with dynamic cold air distribution				
Fast cooling		•	-	-
Door compartments with flap or sliding door	(No.)	1	1	-
Door racks and/or containers	(No.)	3	1	-
Glass shelves in the cooling compartment continuous	(No.)	4	-	-
Containers/drawers in the cooling zone		3	-	-
Aluminium door racks		4	2	-
Freezing				
Fast freezing		-	•	-
Freezing capacity	(kg/24h)	-	14	-
Storage time after a malfunction	(hrs.)	-	14	-
Interior compartments/drawers/door racks	(No.)	-	3/2/2	-
Wine				
Max. levels in the interior		-	-	14
Bottle tray fully extendable/extendable		-	-	•
Storage of Magnum bottles possible		-	-	•
Shelf fully extendable		-	-	•
Suitable for decanters, open bottles and humidors		-	-	•
Connection				
Total connected load	(W)	266	592	131
Water connection inlet/outlet		-/-	•/-	-/-
• Standard ◦ Special accessory - Not available				

¹ RF 463 201 left only, not reversible.