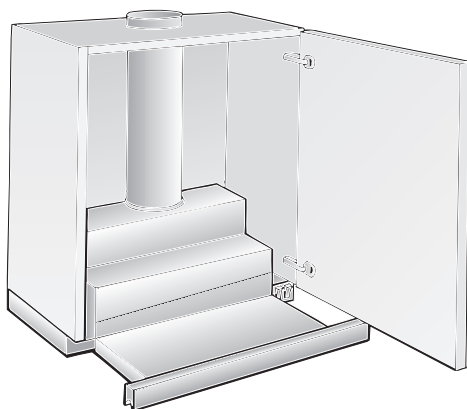


- de **Gebrauchs- und
Montageanleitung**
- en **Operating and
installation instructions**
- fr **Notice de montage
et d'utilisation**
- nl **Gebruiks- en
montageaanwijzing**
- it **Istruzioni per l'uso
e l'installatore**
- es **Instrucciones de uso
y montaje**
- el **Οδηγίες χρήσης και
τοποθέτησης**



D 4618
D 4644
D 4654



de

en

fr

nl

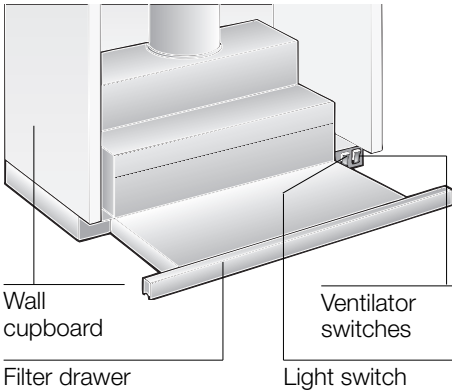
it

es

el

Instructions for use:

Appliance description



Operating modes

Exhaust-air mode:

- The extractor-hood fan extracts the kitchen vapours and conveys them through the grease filter into the atmosphere.
- The grease filter absorbs the solid particles in the kitchen vapours.
- The kitchen is kept almost free of grease and odours.

👁 When the extractor hood is operated in exhaust-air mode simultaneously with a different burner which also makes use of the same chimney (such as gas, oil or coal-fired heaters, continuous-flow heaters, hot-water boilers) care must be taken to ensure that there is an adequate supply of fresh air which will be needed by the burner for combustion.

Safe operation is possible provided that the underpressure in the room where the burner is installed does not exceed 4 Pa (0.04 mbar).

Operating modes

This can be achieved if combustion air can flow through non-lockable openings, e.g. in doors, windows and via the air-intake/exhaust-air wall box or by other technical measures, such as reciprocal interlocking, etc.

If the air intake is inadequate, there is a risk of poisoning from combustion gases which are drawn back into the room.

An air-intake/exhaust-air wall box by itself is no guarantee that the limiting value will not be exceeded.

Note: When assessing the overall requirement, the combined ventilation system for the entire household must be taken into consideration. This rule does not apply to the use of cooking appliances, such as hobs and ovens.

Unrestricted operation is possible if the extractor hood is used in recirculating mode – with activated carbon filter.

Circulating-air mode:

- An activated carbon filter must be fitted for this operating mode (see Filters and maintenance).
- ⚠** The complete installation set and replacement filters can be obtained **from specialist outlets**. The corresponding accessory numbers can be found at the end of these operating instructions.
- The extractor-hood fan extracts the kitchen vapours which are purified in the grease filter and activated carbon filter and then conveyed back into the kitchen.
- The grease filter absorbs the grease particles in the kitchen vapours.
- The activated carbon filter binds the odorous substances.
- ⚠** If no activated carbon filter is installed, it is not possible to bind the odorous substances in the cooking vapours.

Before using for the first time

Important notes:

- ❑ The Instructions for Use apply to several versions of this appliance. Accordingly, you may find descriptions of individual features that do not apply to your specific appliance.
- ❑ This extractor hood complies with all relevant safety regulations.

Repairs should be carried out by qualified technicians only.

Improper repairs may put the user at considerable risk.

- ⚠ Do not use the appliance if damaged.
- ⚠ The appliance is not intended for use by young children or infirmed persons without supervision.
Young children should be supervised to ensure they do not play with the appliance.
- ⚠ If the connecting cable for this appliance is damaged, the cable must be replaced by the manufacturer or his customer service or a similarly qualified person in order to prevent serious injury to the user.
- ⚠ The appliance may be connected to the mains by a qualified technician only.
- ⚠ Dispose of packaging materials properly (see Installation instructions).
- ⚠ Light bulbs must always be fitted when the extractor hood is in use.
- ⚠ Defective bulbs should be replaced immediately to prevent the remaining bulbs from overloading.
- ⚠ Never operate the extractor hood without a grease filter.
- ⚠ Overheated fat or oil can easily catch fire.
If you are cooking with fat or oil, e.g. chips, etc., never leave the cooker unattended.


- ❑ Before using your appliance for the first time, please read these Instructions for Use carefully. They contain important information concerning your personal safety as well as on use and care of the appliance.
- ❑ Please retain the operating and installation instructions for a subsequent owner.

- ⚠ Do not flambé food directly under the extractor hood.
 - ! Risk of grease filter catching fire due to flames.
- ⚠ Restrictions apply to the use of the extractor hood over a solid-fuel burner (coal, wood, etc.). (See Installation instructions).

Gas hobs / gas cookers

- ⚠ Always use gas hobs in a proper and safe manner.
- Important:**
The flames from the gas hob must always be covered by pots or pans.
The intense heat generated by the gas flames could cause damage to the extractor hood.

Operating the extractor hood

 Kitchen fumes are best eliminated by:

- Switching ON the fan**
when you start cooking.
- Switching OFF the fan**
several minutes after you finish cooking.

Switching ON the fan:

1. Pull out the filter drawer by the handle.
 - The fan is now operating.
2. Select the desired fan setting.

Controls on the various models:



Setting 3

Setting 1

Setting 2



Setting 1



Setting 2



Setting 3



Setting 1

OFF

Setting 2

Switching OFF the fan:

- Push in the filter drawer all the way.

Note: If the filter drawer is pulled out again, the fan starts operating at the last selected setting.

Light:



OFF

ON

Note: the light can be used at any time, even if the filter drawer has been pushed in.

If you encounter a problem

If you have any questions or if a fault occurs, please call Customer Service. (See list of Customer Service representatives).

When you call, please quote the following:

E-Nr.	FD
-------	----

Enter the relevant numbers into the box above. The E-Nr. (product no.) and FD (production date) are shown on the nameplate which can be seen inside the extractor hood after the filter frame has been detached.

Filters and maintenance

Metal-mesh grease filters have been installed to filter grease particles out of the kitchen fumes.

The filter mats are made of incombustible metal.

Attention:

As grease accumulates in the filter, there is an increased risk of the filter catching fire and the extractor hood may malfunction.

Important:

By cleaning the metal grease filters at appropriate intervals, the possibility of them catching fire as a result of a build-up of heat such as occurs when deep-fat frying or roasting is taking place, is reduced.

Cleaning the metal-mesh grease filters:

During normal operation (1 to 2 hours daily), the metal-mesh grease filters should be cleaned every 8–10 weeks.

- ❑ The filters can be cleaned in the dishwasher. However, the filters may be slightly discoloured.

Important:

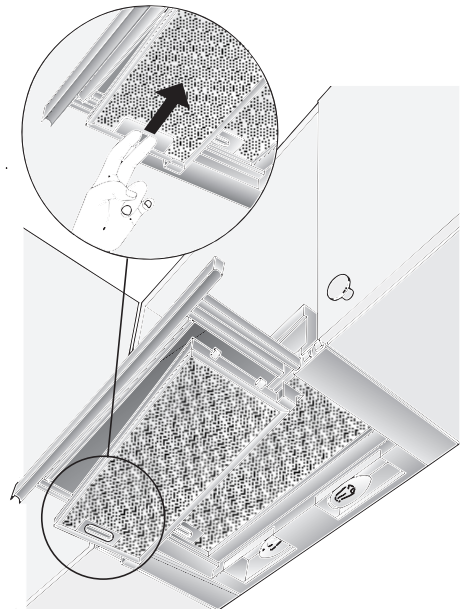
If the metal-mesh grease filters are very dirty, do NOT wash them in the dishwasher with other pots and pans.

- ❑ When cleaning by hand, soak the filter mats for several hours in a hot soap solution. Then brush them off, rinse thoroughly and allow to drip dry.
- ❑ To ensure the best possible results, **use only original filters.**

Removing and installing the filter frames

Removal:


1. Pull out the filter drawer all the way.
2. Press the detents on the filter frames all the way in the direction of the arrow.



- ❑ If there are two grease filters, remove the front one first.
3. Fold the filter frame down at the side and remove.

Installation:

1. Pull out the filter drawer all the way.
2. Insert the filter frame at an angle into the holder, fold up and attach by pressing the detent all the way.
 - ❑ If there are two grease filters, first insert the rear filter frame and then the front filter frame (profiled edge) into the filter drawer.

 Ensure that the grease filters are securely positioned on both sides.

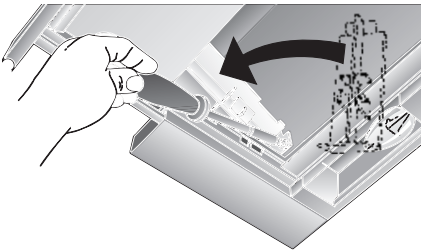
Filters and maintenance

Activated carbon filter:


For filtering odours during circulating-air mode.

The activated carbon filter is installed above the grease filter(s) in the extractor hood.

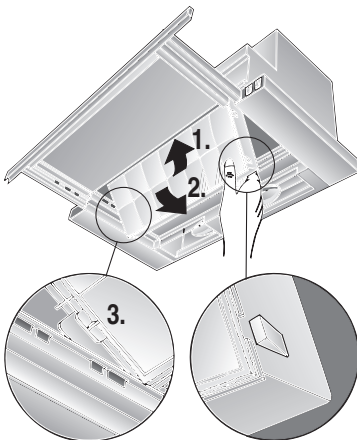
1. Remove the grease filter(s) (see Filters and maintenance).
2. Insert the two enclosed plastic holders into the right and left sides of the extractor-hood housing and attach each holder with a screw (required only if installing an activated carbon filter for the first time).



3. Insert the activated carbon filter from below into the extractor-hood housing and lock into position on both sides.

 Ensure that the edge of the activated carbon filter is underneath.

4. Re-install the grease filter (see Filters and maintenance).



Removal:

The activated carbon filter is removed in reverse sequence.

Press the locking hooks outwards.

Replacing the activated carbon filter:

During normal operation (1 to 2 hours daily), the activated carbon filter should be replaced approx. 1 x year. The activated carbon filter can be obtained from **specialist retailers** (see Optional accessories).

- To ensure the best possible results, **use only original filters.**

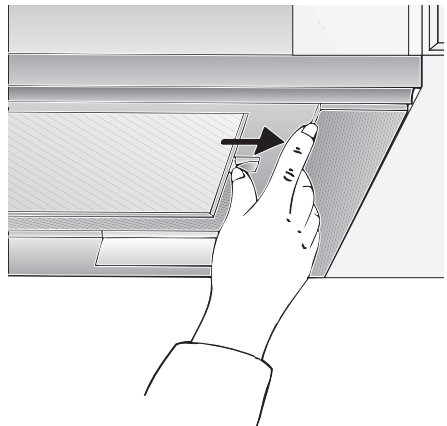
Disposal of the old activated carbon filter:

- Activated carbon filters do NOT contain any pollutants, i.e. they can be disposed of as household rubbish.

Cleaning and care

For appliances with a glass plate in the pull-out vapour extractor:

- The glass plate is easily removed and can be cleaned in a dishwasher.
- To remove the lugs, push outwards.



Cleaning and care

Disconnect the extractor hood from the electricity supply by pulling out the mains plug or switching it off at the fuse box.

- ❑ At the same time as you clean the grease filters, clean off any grease from all accessible parts of the housing. This significantly reduces the fire hazard and ensures that the extractor hood performs as effectively as possible.
- ❑ Use a hot detergent solution or a mild window cleaner to clean the canopy of the extractor hood.
- ❑ Do not scrape off any dirt that has dried on but loosen it up with a damp cloth.
- ❑ Do not use abrasive cleaning agents or sponges that could cause scratches.
- ❑ **Note:** Do not use alcohol (spirit) on plastic parts, otherwise the surface may become matt in appearance.

Caution: Ensure that the kitchen is adequately ventilated. Avoid naked flames!

⚠ Clean the operating buttons with a mild soapy solution and a soft, damp cloth only. Do not use stainless-steel cleaner to clean the operating buttons.

Stainless steel surfaces:

- ❑ Use a mild non-abrasive stainless steel cleaner.
- ❑ Clean the surface in the same direction as it has been ground and polished.

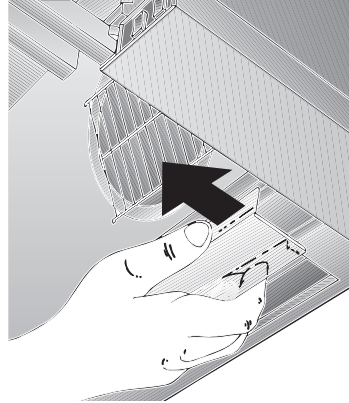
⚠ Do not use any of the following to clean stainless steel surfaces: abrasive sponges, cleaning agents containing sand, soda, acid or chloride!

Aluminium, painted and plastic surfaces:

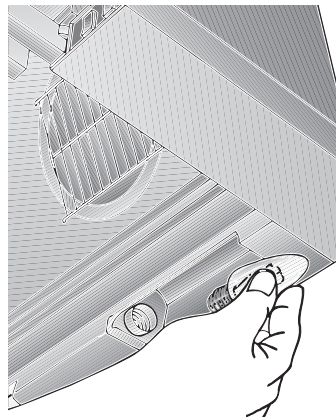
- ❑ Use a soft, non-linting window cloth or micro-fibre cloth.
- ❑ Do not use dry cloths.
- ❑ Use a mild window cleaning agent.
- ❑ Do not use aggressive, acidic or caustic cleaners.
- ❑ Do not use abrasive agents.

Replacing the light bulb

1. Switch off the extractor hood and pull out the mains plug or switch off the electricity supply at the fuse box.
2. Pull out the filter drawer all the way.
3. Pull the lamp cover forwards.



4. Replace the light bulbs. Fig. 6. (Standard candle bulbs, max. 40 W, E14 socket).



5. Re-insert the lamp cover.
6. Plug appliance into mains again or switch on at the fuse box.

Installation Instructions:

Important information

⚠ Old appliances are not worthless rubbish. If they are disposed of in an environment-friendly manner, valuable raw materials can be recovered for use again. Before you dispose of an old appliance, make sure that it has been rendered inoperative.

⚠ Your new appliance was protected on its way to you by the packaging. None of the materials cause pollution to the environment and all can be recycled for use again. Please help to protect the environment and dispose of the packaging in an environment-friendly manner.

You can obtain information about the best method disposing of old appliances and packaging from your dealer or local municipal council.

⚠ The extractor hood can be used in either exhaust-air or recirculating mode.

⚠ Always mount the extractor hood over the centre of the hob.

⚠ Minimum distance between electric hob and bottom edge of extractor hood: **430 mm**, Fig. 1.

Additional notes concerning gas cookers:

⚠ When installing gas hotplates, comply with the relevant national statutory regulations (e.g. in Germany: Technische Regeln Gasinstallation TRGI).

⚠ The relevant regulations and installation notes provided by the manufacturer of the gas cooker must be observed in all cases.

⚠ The extractor hood may be installed next to only one full-height cupboard or high wall. Gap to be at least 50 mm.

⚠ **The installation of the extractor hood above gas cooking devices**, at a minimum height of **650 mm** – Fig. 1 – is permitted provided that the following nominal heat loads (Hs) are not exceeded:

❑ Gas cookers

Load of one hotplate	max. 3.0 kW
Load of all hotplates	max. 8.3 kW
Load of the oven	max. 3.9 kW

❑ Gas hobs

Load of one hotplate	max. 3.9 kW
Load of all hotplates	max. 11.3 kW

❑ Gas glass-ceramic hotplate

The data on nominal heat loads do not apply to gas glass-ceramic hotplates. Be sure to observe the instructions provided by the manufacturer of the hotplate.

❑ Solid-fuel cookers

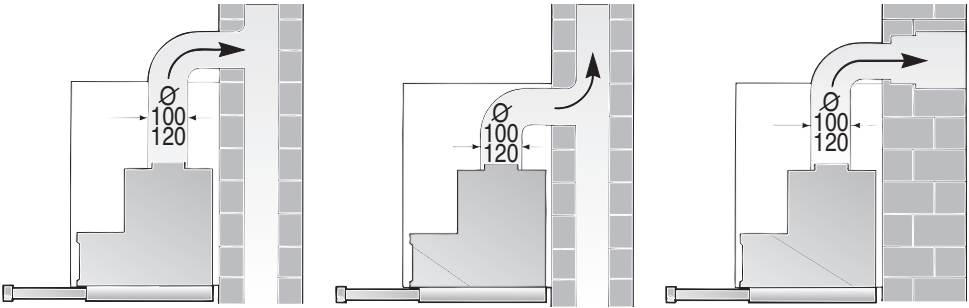
The maximum nominal heat loads and the minimum distance are the same as for gas cookers.

⚠ Installation of the extractor hood over a solid-fuel burner which could constitute a potential fire hazard (e.g. due to flying sparks) is only permitted if the burner is equipped with an **enclosed, non-removable cover** and all country-specific regulations are observed. This restriction does not apply to gas cookers and gas hobs.

⚠ The smaller the gap between extractor hood and hob, the greater the likelihood that rising steam will cause condensation to form on the hood.

Prior to installation

Exhaust-air mode



The exhaust air is discharged upwards through a ventilation shaft or directly through the outside wall into the open.

✎ Exhaust air should neither be directed into a smoke or exhaust flue that is currently used for other purposes, nor into a shaft that is used for ventilating rooms in which stoves or fireplaces are also located.

Exhaust air may be discharged in accordance with official and statutory regulations only (e.g. national building regulations).

Local authority regulations must be observed when discharging air into smoke or exhaust flues that are not otherwise in use.

✎ **When the extractor hood is operated in exhaust-air mode simultaneously with a different burner which also makes use of the same chimney** (such as gas, oil or coal-fired heaters, continuous-flow heaters, hot-water boilers) care must be taken to **ensure that there is an adequate supply of fresh air** which will be needed by the burner for combustion.

Safe operation is possible provided that the underpressure in the room where the burner is installed does not exceed 4 Pa (0.04 mbar).

This can be achieved if combustion air can flow through non-lockable openings, e.g. in doors, windows and via the air-intake/exhaust-air wall box or by other technical measures, such as reciprocal interlocking, etc.

If the air intake is inadequate, there is a risk of poisoning from combustion gases which are drawn back into the room.

An air-intake/exhaust-air wall box by itself is no guarantee that the limiting value will not be exceeded.

Note: When assessing the overall requirement, the combined ventilation system for the entire household must be taken into consideration. This rule does not apply to the use of cooking appliances, such as hobs and ovens.

Unrestricted operation is possible if the extractor hood is used in recirculating mode – with activated carbon filter.

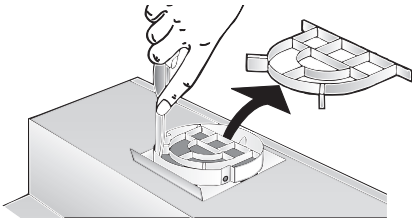
Prior to installation

For operating in exhaust-air mode, a one-way flap should be mounted inside the extractor hood unless there is already one fitted in the outlet duct or wall ventilation box.

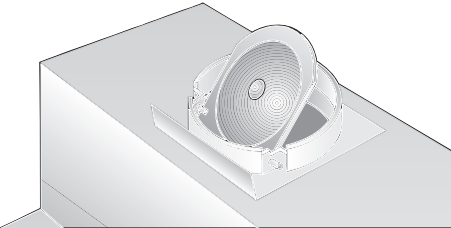
If no one-way flap was enclosed with the hood, it can be obtained from a specialist retailer (see section on optional accessories in the user instructions).

Installing the one-way flap:

1. Cut out the protective grid in the air-pipe connector.



2. Insert the one-way flap into the bearing apertures on the air-pipe connector.



If the exhaust air is going to be discharged into the open, a telescopic wall box should be fitted into the outside wall.

For optimum extractor hood efficiency:

- Short, smooth air exhaust pipe.
- As few bends in the pipe as possible.
- Diameter of pipe to be as large as possible (ideal is \varnothing 120 mm) and no tight bends in pipe.

If long, rough exhaust-air pipes, many pipe bends or smaller pipe diameters are used, the air extraction rate will no longer be at an optimum level and there will be an increase in noise.

- **Round pipes:**
We recommend
Internal diameter **at least. 120 mm.**

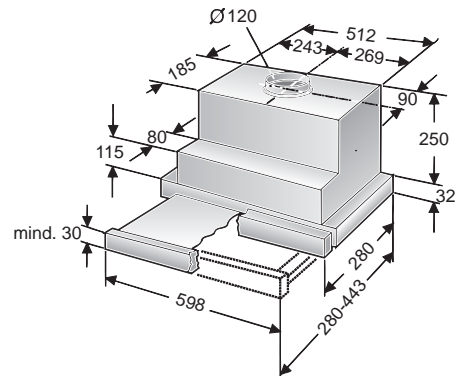
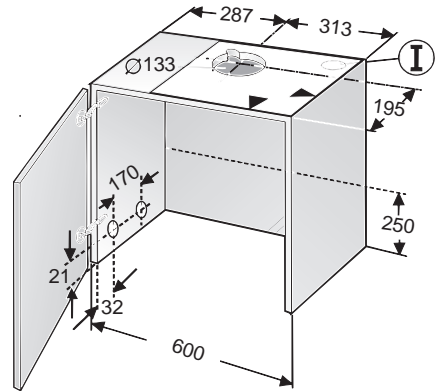
- **Flact ducts** must have an internal cross-section that equates to that of round pipes with a 100/120 mm internal diameter
There should be no sharp bends.
 \varnothing 100 mm approx. 78 cm²
 \varnothing 120 mm approx. 113 cm²

If pipes have different diameters:

- Insert sealing strip.
- For exhaust-air mode, ensure that there is an adequate supply of fresh air.

Exhaust air flows upwards:

- Cut a hole in the top of the wall cupboard, including a groove for the mains cable.
– Template (I) is enclosed –.



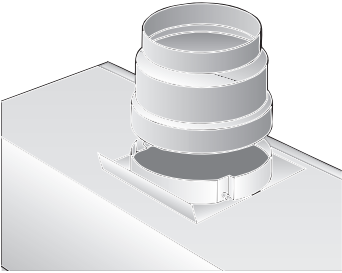
Prior to installation

Exhaust flows straight out at the back:

- inside the wall cupboard -.
- Cut a hole in the rear panel of the wall cupboard, including a groove for the mains cable.

Connecting the \varnothing 100 mm exhaust-air pipe:

- Cut out the protective grid in the air outlet.
- Attach the reducing connector (enclosed or can be obtained from specialist retailers) to the air outlet.



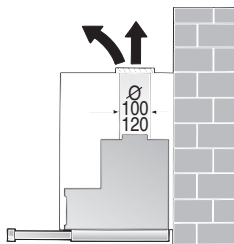
Connecting the \varnothing 120 mm exhaust-air pipe:

- Cut out the protective grid in the air outlet.

Circulating-air mode

- With activated carbon filter if exhaust-air mode is not possible.

⚠ The complete installation set can be obtained **from specialist** outlets. The corresponding accessory numbers can be found at the end of these operating instructions.



Electrical connection

This is what you have to do:

1. Connect the green and yellow (Earth) wire to the terminal in the plug marked 'E' or with the symbol (\equiv), or coloured green or green and yellow.
2. Connect the blue (Neutral) wire to the terminal in the plug marked 'N' or coloured black.
3. Connect the brown (Live) wire to the terminal marked 'L', or coloured red.

The extractor hood may only be connected to an earthed socket that has been installed according to the relevant regulations. If possible, site the earthed socket directly above the wall cupboard or in its immediate vicinity.

Electrical data:

Are to be found on the name plate inside the appliance after removal of the filter frame.

⚠ Before undertaking any repairs, always disconnect the extractor hood from the electricity supply.

Length of the connecting cable: 1.30 m.

If it is necessary to wire the extractor hood directly into the mains:

The extractor hood should only be connected to the electricity supply by a properly qualified electrician.

A separator must be installed in the household circuit. A suitable separator is a switch that has a contact gap of more than 3 mm and interrupts all poles. Such devices include circuit breakers and contactors.

This extractor hood corresponds to EC regulations concerning RF interference suppression.

Preparing the wall cupboard

⚠ Ensure that there is a minimum gap between hob and extractor hood of 650 mm (for gas hobs) or 430 mm (for electric hobs).

This **extractor hood** has been designed for installation inside a wall cupboard with the following dimensions:

Width: 600 mm

Depth: 280 bis 350 mm

Height: at least 300 mm.

Preparation:

1. Remove bottom panel of cupboard – if fitted.

⚠ The stability of the cupboard must be maintained.

2. Mark two points – right and left – on the inside of the cupboard where the hood is to be mounted, and start the hole with a gimlet.

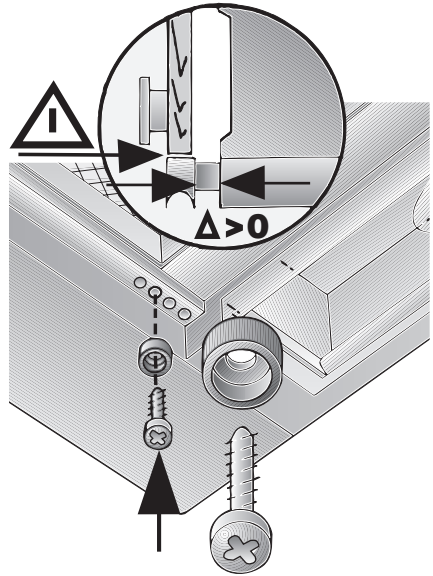
Details for drilling:

∅ 2 mm – max. 10 mm deep.

Attention:

- Use enclosed template **Ⓜ** for marking points where hood is to be mounted.
- The mounting points shown on the template have been configured in such a way as to allow a 20 mm thick handle to be attached flush with the front edges of the cupboard.

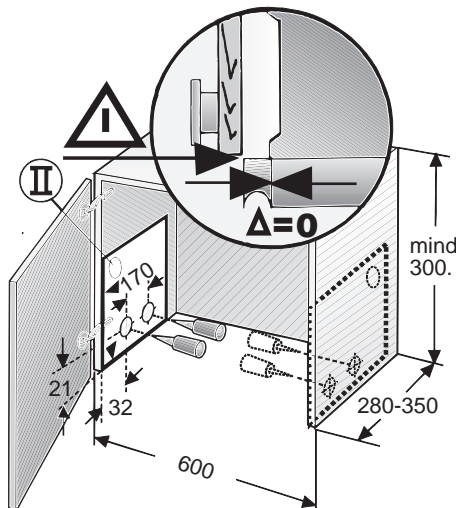
- A stop allows the handle (Dimension Δ) to be positioned further forwards.



If the cupboard depth is greater than **280 mm**, the hood can be mounted further back,

- ... if the light strip under the cupboard units is mounted further back,
- ... if the handle is more than 20 mm thick.

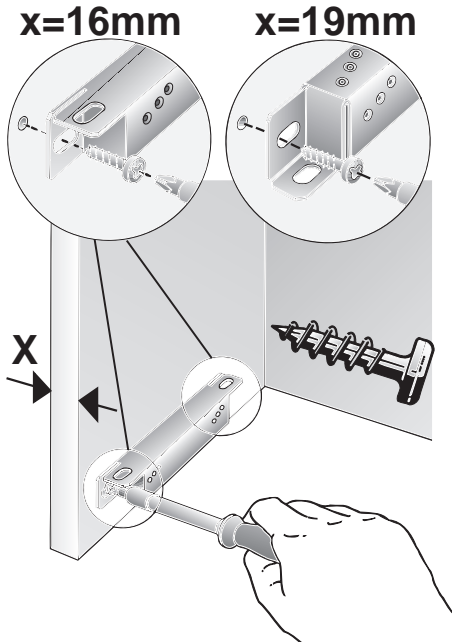
Position the template **Ⓜ** further back.



Preparing the wall cupboard

3. Align and screw on the enclosed mounting rails.

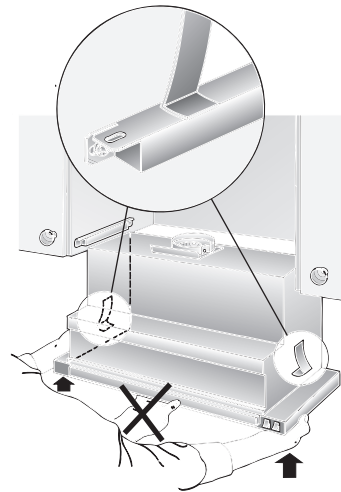
⚠ Note the thickness of the sides of the cupboard (16 mm or 19 mm) dimension **X**.



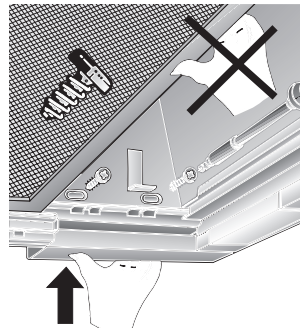
⚠ If the interior depth of the cupboard is less than 280 mm, the 250 mm high rear panel must be removed.

Installation inside the wall cupboard

1. Remove the filter frames (see Operating Manual).
2. If the hinges are no longer accessible when the extractor hood has been installed, align the cupboard doors.
3. Lift and push the extractor hood from below into the cupboard until the installation aids on the left and right lock into position.

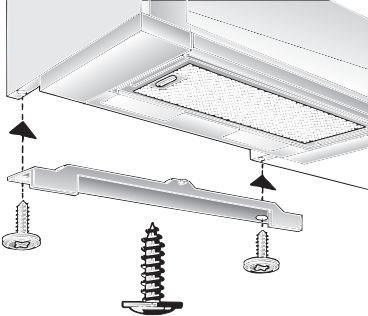


4. Pull out the filter drawer all the way.
5. Attach the extractor hood by screwing in 2 screws on the left and right. Do NOT tighten the screws. Raise the extractor hood.
6. Align the extractor hood in the cupboard and tighten the screws.



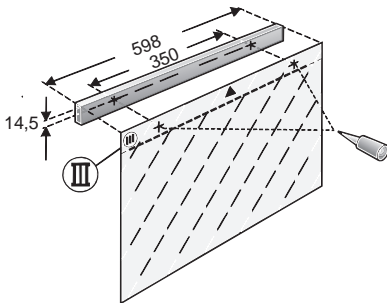
Installation inside the wall cupboard

7. Feed the mains connection cable through the aperture into the upper cupboard and connect the pipe.
8. Connect to the power supply.
9. If required, shorten the wall cover to the required size (e.g. saw off) and screw to the upper cupboard.

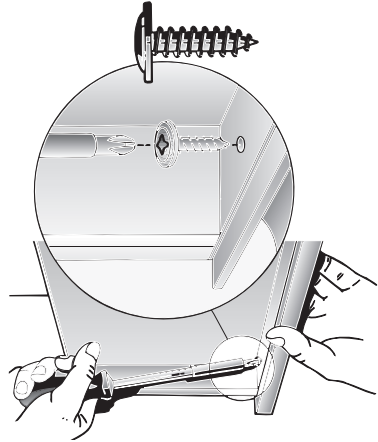


Attaching a handle:

- A handle must be attached to the filter drawer.
 - This handle can either be a wooden strip that matches the kitchen cupboards or a the handle that is available as an optional accessory (see section on optional accessories in the user instructions).
1. Mark two points on the handle with the enclosed template (III) and make holes with a bradawl.
If the holes are drilled:
∅ 2 mm – max. 10 mm deep.



2. Align the handle and screw onto the appliance with the two enclosed screws.



3. Insert the filter frames (see Operating Manual).

Note: The extractor hood housing inside the wall cupboard can be boarded up (e.g. with chipboard).

Please observe the following:

- The shelf must not rest upon the extractor hood housing.
- The board at the front should not be attached to the housing.
- Provide access for customer service.

Removal:

The extractor hood is removed in reverse sequence.

Note: In circulating-air mode the activated carbon filter and plastic holder must be removed in order to gain access to the mounting screws and installation aids.

Weight in kg:

Exhaust air	Re-circulating air
9,5	10,5

The manufacturer reserves the right to make design alterations in the interests of technical development.